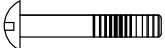

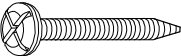
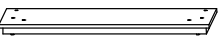
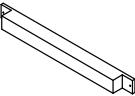
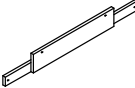
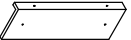
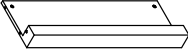
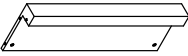



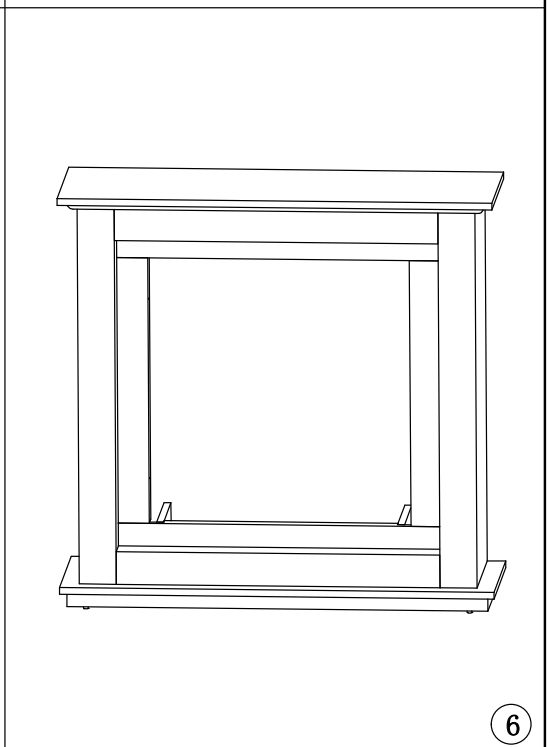
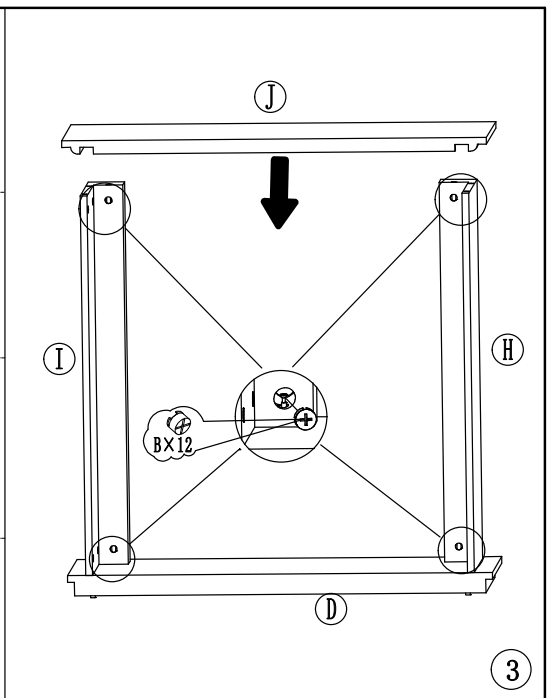
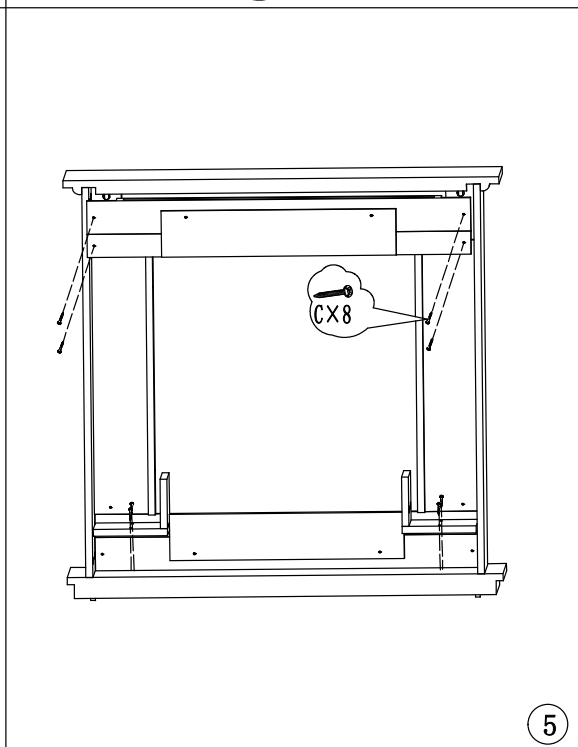
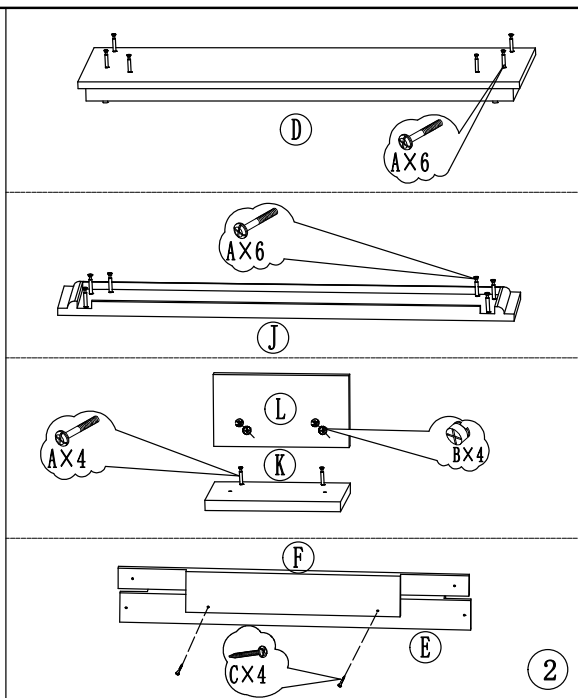
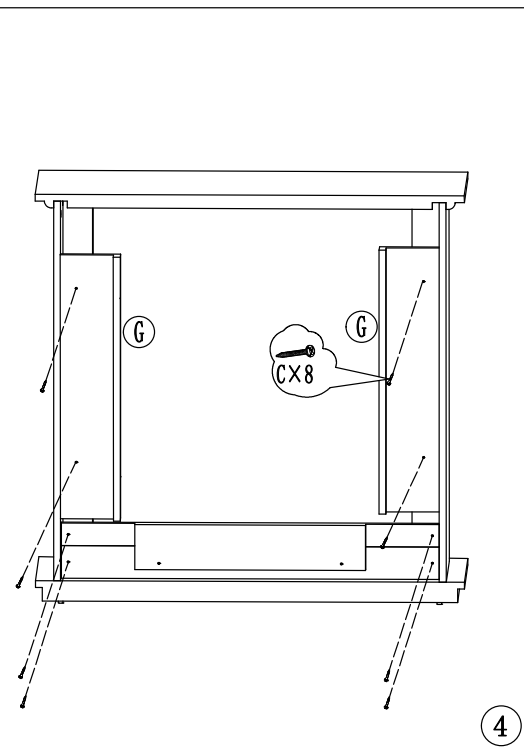
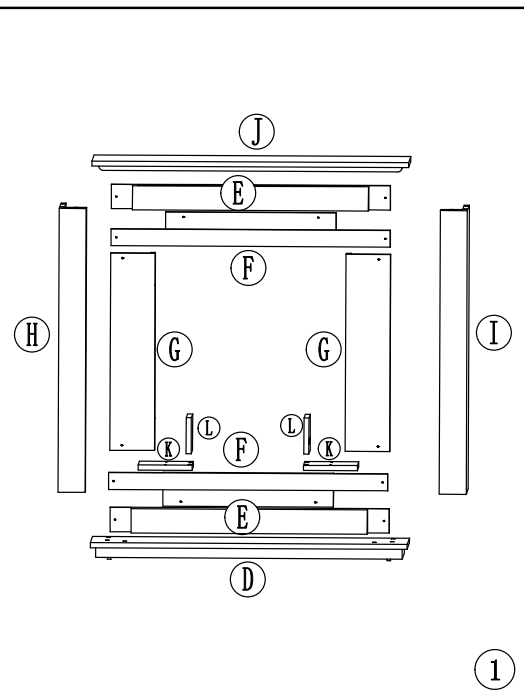








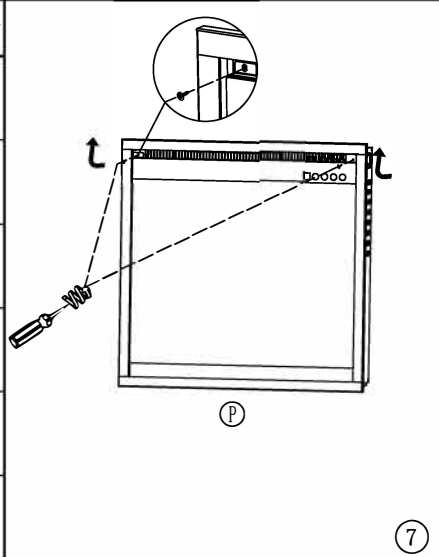
AFLAMO SUND + INSERT 3D 45x60

NO	Part	Quantity
A		16
B		16
C		20
D		1
E		2
F		2
G		2
H		1
I		1
J		1
K		2
L		2

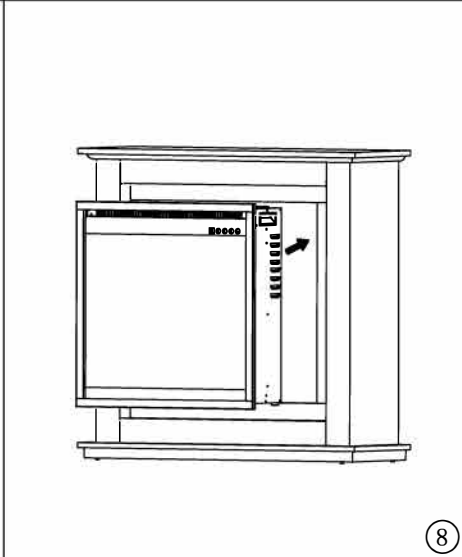


AFLAMO SUND + INSERT 3D 60x60

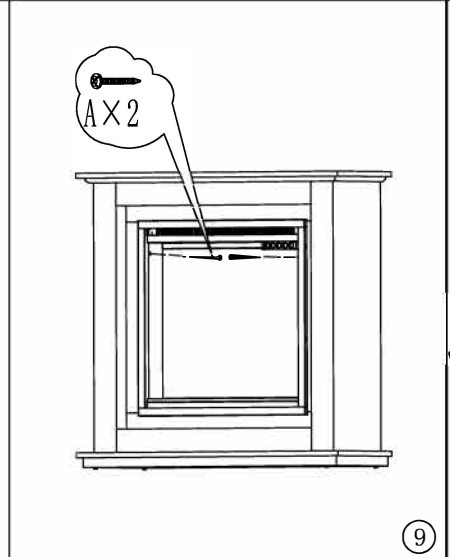
NO	Part	Quantity
A		6
P		1
Q		4
R		4
S		4
B		2



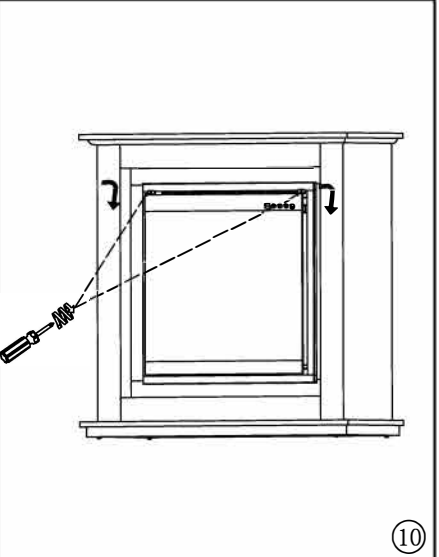
7



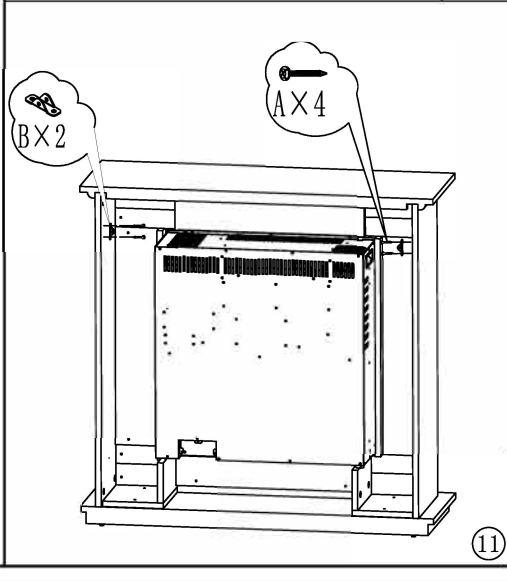
8



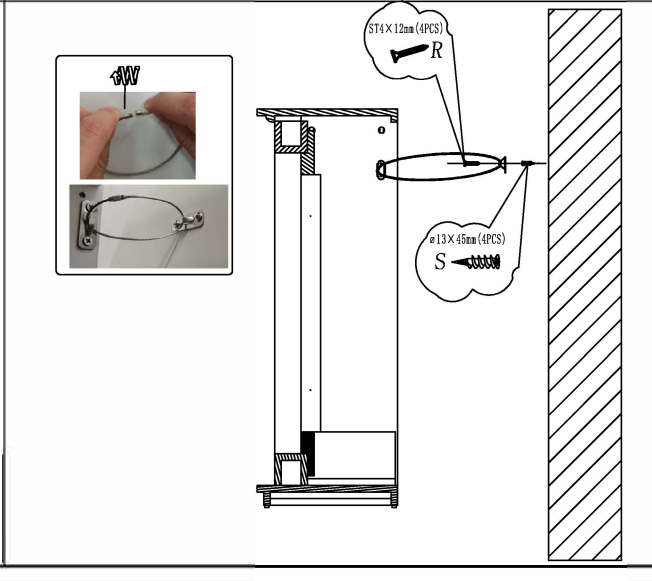
9



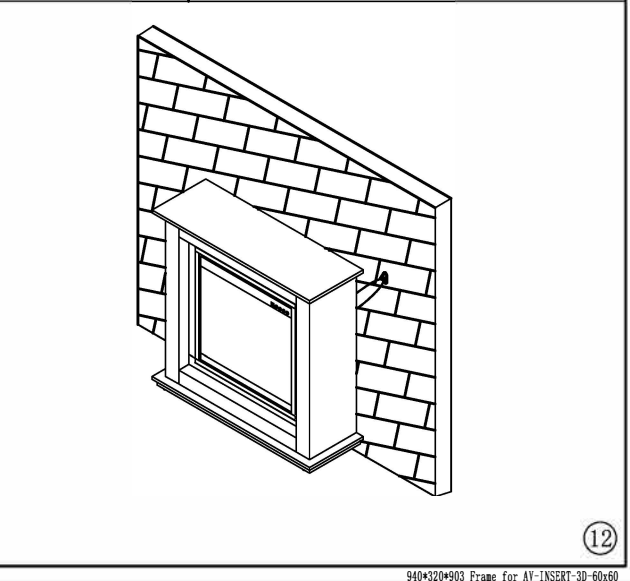
10



11



12



13